



# nami

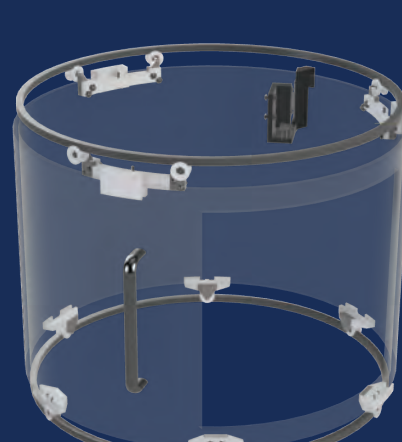
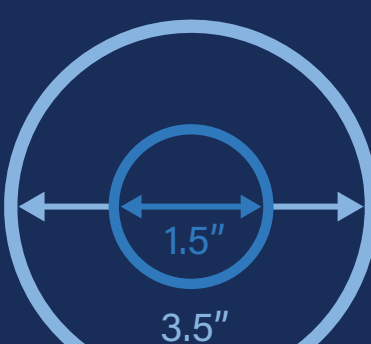
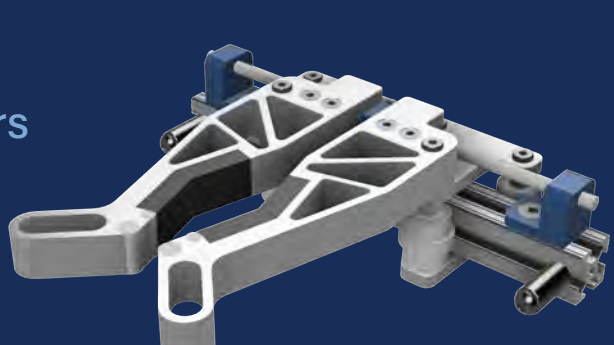
the new *wave* of water bottle cleaning

introducing *nami*: an automatic water bottle cleaner that cleans your bottle where you need it, and when you need it

## features

### bottle holder

fits wide range of bottle diameters  
centers bottle over nozzle

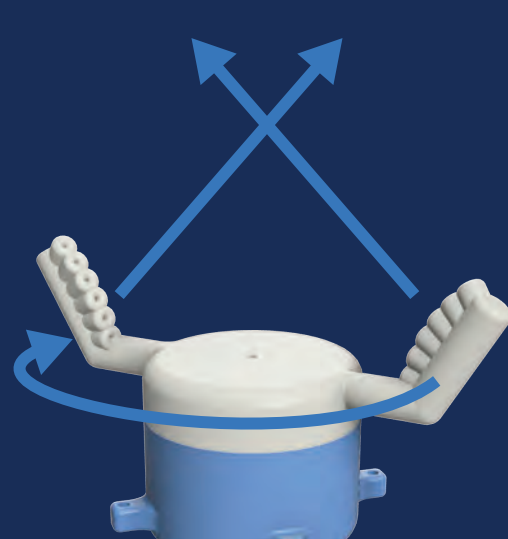


### sliding door

140 degrees of rotation  
keeps low profile in busy hallways

### nozzles

targets dirtiest areas  
water-powered rotation



### plumbing

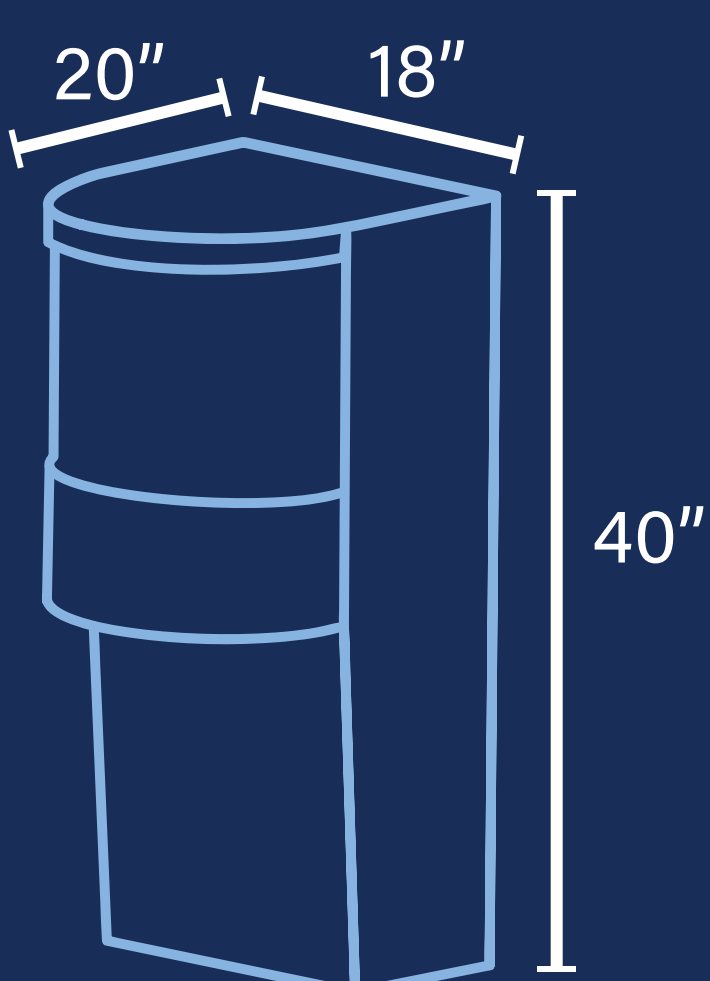
consistent & reliable clean  
delivers hot, soapy, pressurized water



## specifications

dimensions  
cycle time  
highest water temperature  
operating water pressure  
detergent storage

18" x 20" x 40"  
15 seconds  
120° Fahrenheit  
40 psi  
1 gallon



## our model

overhead  
\$280

labor  
\$50

material  
\$830

profit  
\$1140

# \$2300

# 5% royalties on unit sales

# 3% royalties on detergent\*

\*sold in refillable bottle with proprietary plumbing interface

## thank you

### instructors

daniel braunstein  
rich weisman  
amy carleton  
cheetiri smith  
adam zimmerman  
shayna ahteck

### course staff

shayna ahteck	sam ihns
nick anastasia	andy macinnis
steve banzaert	david meeker
bill cormier	james penn
lauren futami	nate phipps
aditya ghodgaonkar	scott spence
danny goldfield	david wallace
steve haberek	chuck xia

## blue team

shreya agarwal	valeria gutierrez
grace armstrong	sebastien loko
henry asa	ashley margetts
thomas brooks	kanaya okolo
darrell brown	malia smith
faith bulan	ashley su
morgan everett	helen sun
tyler godfrey	colin weaver

contact us: 2009blue@mit.edu